

EU DECLARATION OF CONFORMITY

Manufacturer:

Kremen MB d.o.o.

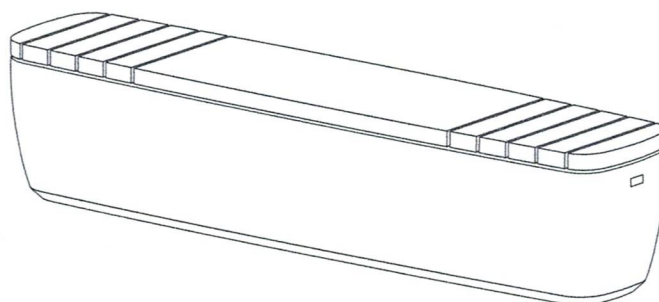
Ulica heroja Šaranoviča 34c

2000 Maribor, Slovenia

Tel: +386 2 252 46 87

Email: info@kremen-mb.si

Product: Solar Bench Bien



This declaration of conformity is issued under the sole responsibility of the manufacturer.

Object of the Declaration

The product described above complies with the relevant Union harmonization legislation:

- **Electromagnetic Compatibility (EMC) Directive (2014/30/EU)**

Applicable Harmonized Standards

The product has been tested and found in conformity with the following standards:

- **ETSI EN 303 417 V1.1.1 (2017-09)**
- **EN 301 489-1 V2.2.0 (2017-03)**
- **EN 301 489-3 V2.1.1 (2017-03)**
- **EN 55032:2015 / EN 55035:2017**
- **EN 61000-3-2:2014**
- **EN 61000-3-3:2013**
- **EN 62311:2008**
- **EN 62368-1:2014+A11:2017**

Jure Štuber

Position: CEO

Signature:

A handwritten signature in blue ink, consisting of stylized letters and a long horizontal stroke.

Maribor, 15. 01. 2025

This declaration is issued in accordance with Directive 2014/30/EU, and the manufacturer assumes full responsibility for the product's compliance.