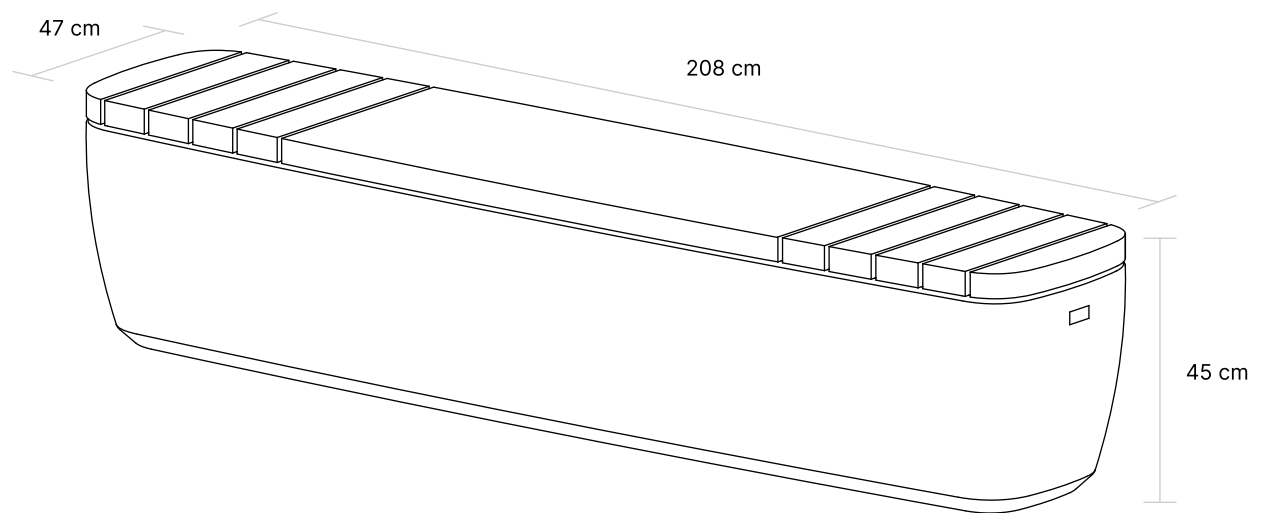


Product Data Sheet

Solar bench Bien



Overview

The Solar Bench Bien operates completely autonomously and does not require a connection to the power grid. Proper placement is crucial to ensure optimal sunlight exposure; refer to the installation instructions for guidance. The solar panels are ventilated to prevent overheating of the seating area.

Delivery

The bench is delivered on a pallet, fully assembled, programmed, and ready for use. After installation, simply pull out the activation strap to activate the bench.

Anchoring

The bench features a hidden fixing system for secure ground anchoring using the included brackets. Screws must be purchased separately based on the type of ground material.

Technical details

- Ambient Light: Warm white, auto-on at night, adjustable power, no light emission above the horizontal plane, 16W
- USB-C & USB-A Charging Socket: 12W
- Wireless Qi Charger: 15W
- Battery Capacity: 28Ah

Materials

- Body: Washed concrete (C50/60), available in Grey/White/Black
- Top: Polycarbonate glass, highly impact-resistant
- Frame: Galvanized and powder-coated steel
- Wood: Weather-resistant tropical hardwood, fixed with hidden stainless steel screws

Dimensions

- Height: 450 mm
- Width: 2080 mm
- Depth: 470 mm
- Weight: 400 kg



Manufacturer:

Kremen Mb d.o.o, Ulica heroja Šaranoviča 34c, 2000 Maribor, Slovenia
info@kremen-mb.si | www.kremen-mb.si | Phone: +386 (0)2 25 24 687